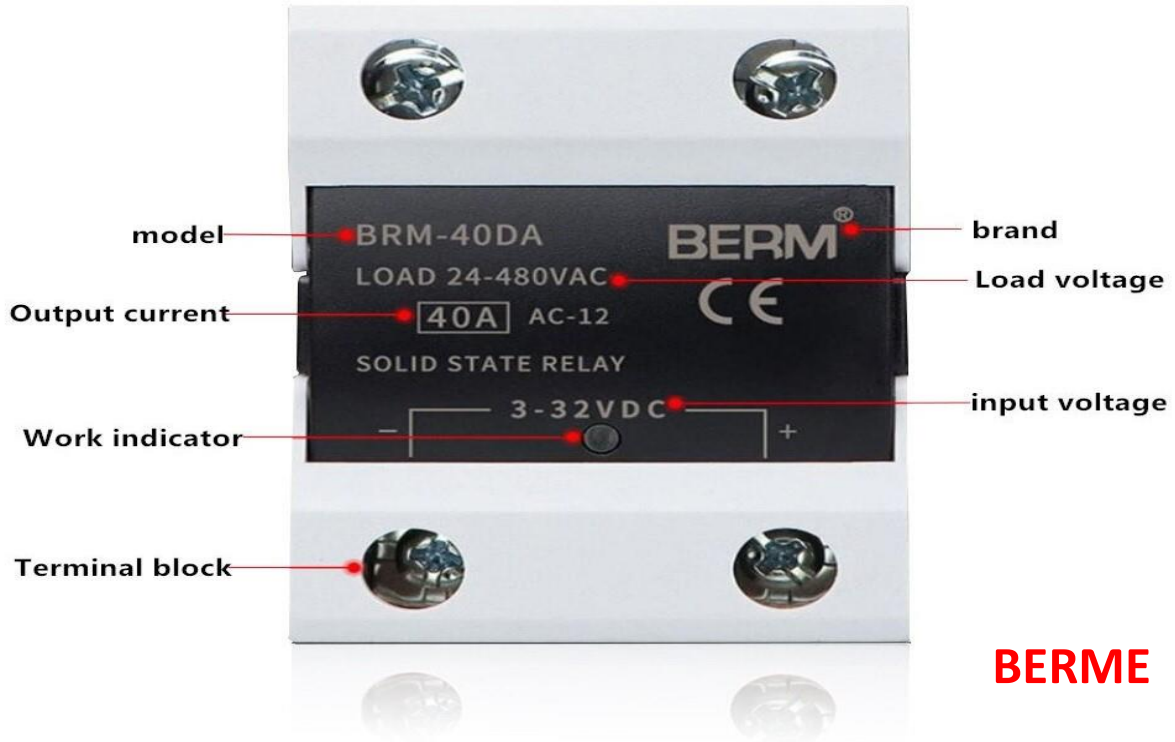


Solid State Relay(SSR) ← → **BERME**



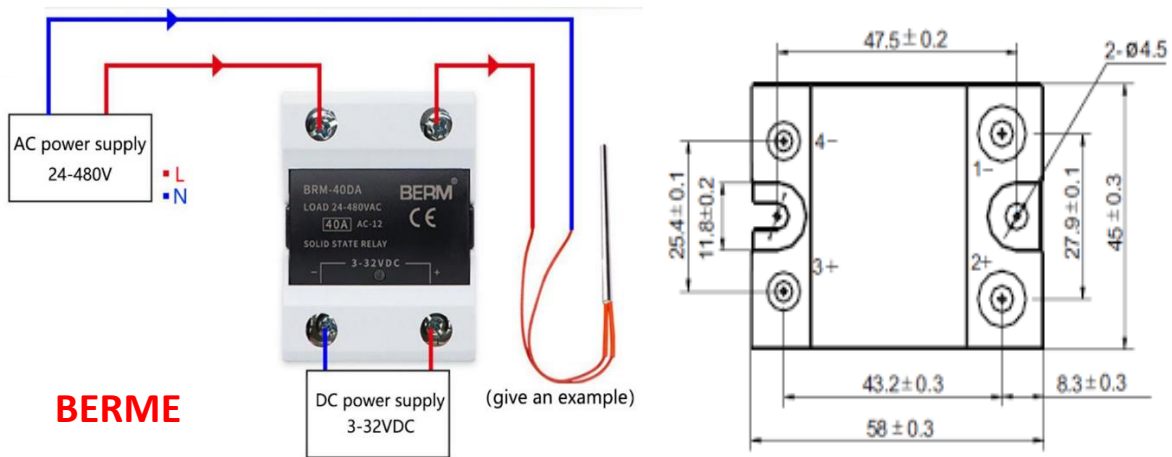
BERME

OPŠTA TEHNIČKA SPECIFIKACIJA ZA BRM-40DA SOLID STATE RELE

Opšte Karakteristike	
Struja Opterećenja	40A
Napon Opterećenja	24 – 480VAC
Napon Upravljanja	3 – 32VDC
Struja Upravljanja	5 – 25mA
Pad Napona	≤1.5V
Struja Curenja	≤2mA
Uključenje / Isključenje	≤10ms
Dielektrična Čvrstoća	2500VAC
Otpor Izolacija	1000MΩ/500VDC
Temperatura Ambijenta	-20 – +75°C
Metod Montaže	Fiksiranje Vjercima
Zaštita	-
Signalizacija Rada	LED
Težina	78g

Dimenzije (mm)	Struja / Temperatura	Upravljanje

Solid State Relay(SSR) ← → **BERME**



Features:

- High reliability, high efficiency and long service life.
- No electrical spark, no noise and no contact.
- Fine electromagnetic interference, high sensitivity and fast switching speed.
- Low drive voltage and current.
- Especially suitable for corrosion, moisture, dust resistant and other harsh environments.
- Widely used in many automatic control systems.

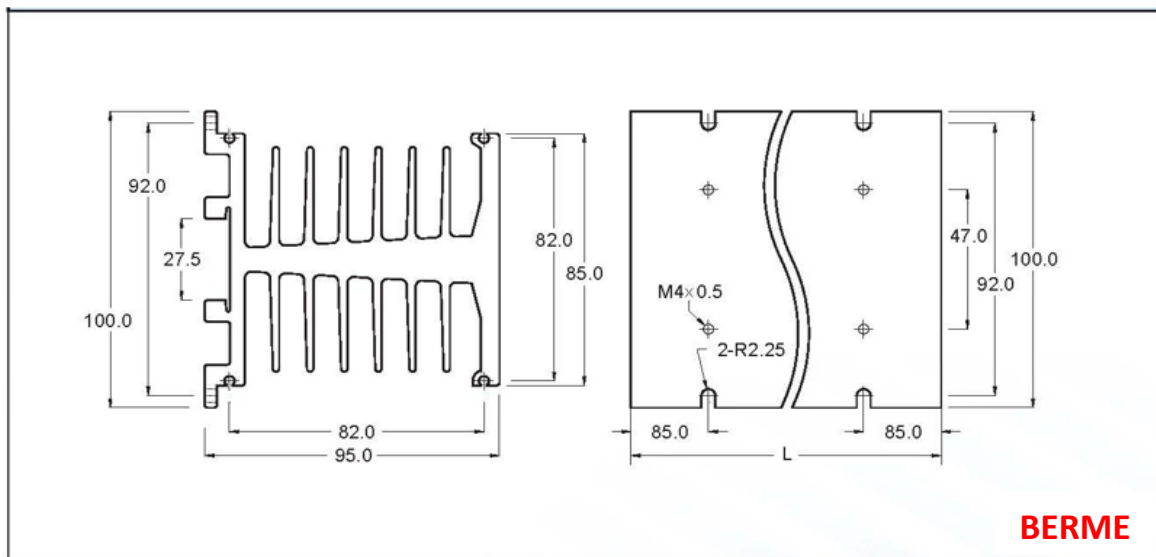
Specifications:

- Material: ABS
- Color: Silver
- Model: BRM-10DA, BRM-25DA, BRM-40DA, BRM-60DA, BRM-80DA, BRM-100DA, BRM-120DA
- Load Current: 10A, 25A, 40A, 60A, 80A, 100A, 120A (optional)
- Load Voltage: 24-480VAC
- Control Voltage: 3-32VDC
- Item Size: 59 * 45.5 * 29.5mm / 2.32 * 1.79 * 1.16in
- Package Weight:
 - 10A: 80g / 2.82ounces
 - 25A: 80g / 2.82ounces
 - 40A: 83g / 2.93ounces
 - 60A: 91g / 3.21ounces
 - 80A: 91g / 3.21ounces
 - 100A: 91g / 3.21ounces
 - 120A: 91g / 3.21ounces
- Package Size: 65 * 50 * 35mm / 2.56 * 1.97 * 1.38in

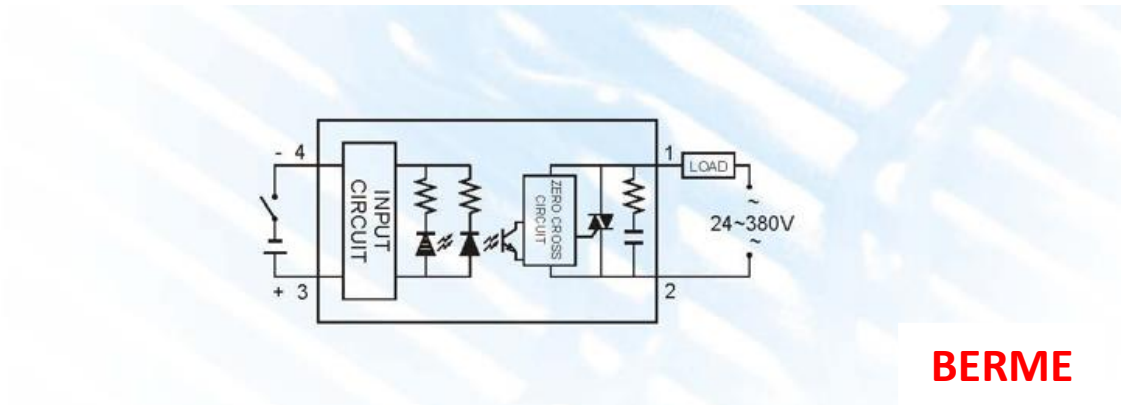
Solid State Relay(SSR) BERME



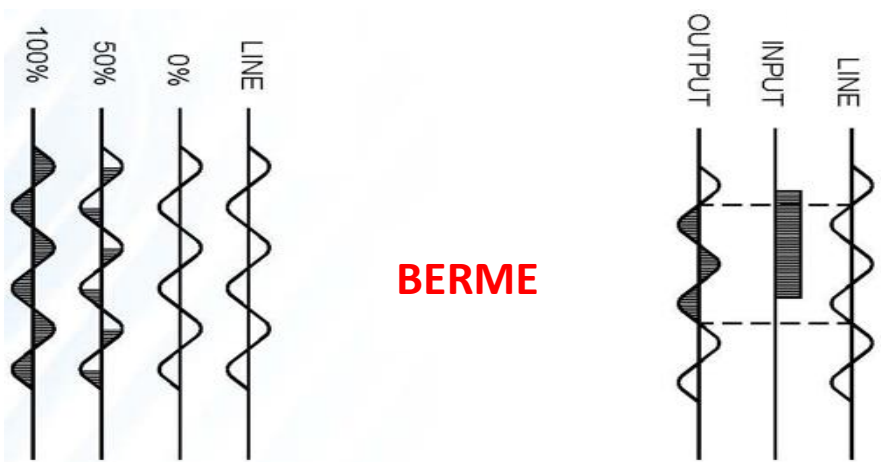
BERME Company	Product Name: solid state relay
Product model: BRM-10 / 25 / 40 / 60 / 80 / 100DA	Control current: 5-20MA
Control voltage: 3-32VDC	Load voltage: 24-480VAC
On state voltage: $\leq 1.6V$	On off time: $\leq 10MS$
Ambient temperature: $- 30^{\circ} C \sim + 70^{\circ} C$	Product weight: 0.075KG



Solid State Relay(SSR) ← → **BERME**



BERME



BERME



BERME