

Power Intermediate Relay (BEMM□C) ← → BERME



BERME Company Relays

Model	Voltage	Pins
BEMM4C	24VAC	14
	24VDC	
	48VDC	
	110VAC	
	220VAC	
BEMM2C	24VAC	8
	24VDC	
	48VDC	
	110VAC	
	220AVC	

More details are as follows:

Power Intermediate Relay (BEMM□C) ← → **BERME**

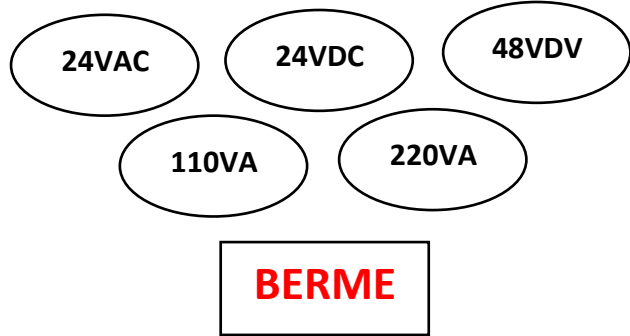
Description

Features:

- 1.;100% brand new and high quality
2. The pin has good contact performance, ensure stable working
3. Small body and stable performance
4. High reliability and small size
5. Suitable for automation equipment and electrical control cabinets

Specification:

Condition: 100% Brand New
 Model: BEMM2C
 Rated Voltage: AC220V
 Rated Current: 5A
 Arc Extinguishing Medium: Air
 Main Contact Series: 2C
 Action Time: 0.3ms
 Status Indication: Green Indicator
 Mode of Operation: DC
 Control Power Type: AC
 Control Power Frequency: 50Hz
 Electric Shock Material: Alloy
 Mechanical Life: 1 Million Times
 Optional Style: 6VDC, 12VDC, 24VDC, 110VDC
 Weight: Approx. 30g / 1.1oz



Package List:

1 * Intermediate Relay

Product type: Relays

Spesifik Item

Teori: Relai Elektromagnetik
 Contact Load: Tenaga Rendah
 Nomor Model: BEMM3C
 Sumber Daya: DC
 Name: Intermediate Relay
 Model: BEMM3C
 Package: 1pc Intermediate Relay with socket



Dikustomisasi: Ya
 Tegangan: 12V
 Fitur Proteksi: Disegel
 Penggunaan: Tujuan Umum
 Voltage: DC12V/DC24V/AC110V/AC220V
 Pin: 8Pin



BERME

Power Intermediate Relay (BEMM□C) ← → **BERME**

Product description

Specification:

Model: BEMM4C

Material: Plastic; Weight: 30g; Coil Voltage: 24VAC / 110VAC / 220VAC (optional)

Nominal voltage: AC250V.

Rated current: 5A.

Operating mode: AC.

Type: 14-pin arc extinguisher: air.

Main contact series: 2C

Operating time: 0.3 ms Status display: red light

Control power supply type: AC.

Control voltage frequency: 50 Hz.

Material for electric shock: alloy. Mechanical life: 100.0000 times.

24VDC

48VDV

BERME

BEMML2C

BERME

BEMM4C

BERME

BEMM2C

BERME

BEMM3C

BERME



Power Intermediate Relay (BEMM□C) ← → **BERME**

Features:

Good contact performance, ensure stable working. High quality time relay, durable in use. Compact size and light weight, high stability. In the circuit, it plays an important role in automatic adjustment, safety protection, switching circuit and so on. Suitable for automation equipment and electrical control cabinets.

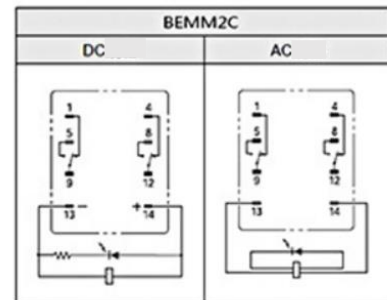
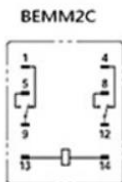
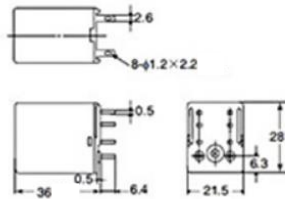
Specification:

- Model: BEMM4C
- Material: Plastic
- Weight: 30g/1.1oz
- Coil voltage: 24VAC / 110VAC / 220VAC (optional)
- Rated voltage: AC250V
- Rated current: 5A
- Operation mode: AC
- Type: 14 pin
- Arc extinguishing medium: air
- Main contact series: 2C
- Operating time: 0.3ms
- Status indicator: red light
- Control power supply type: AC
- Control power frequency: 50Hz
- Electric shock material: alloy
- Mechanical life: 100,000 times

BERME



BEMM2C



Theory: Electromagnetic Relay

Contact Load: Low Power

Model Number: BEMM2C

Power Source: DC

Name: Intermediate Relay

Model: BEMM2C

Package: 1pc Intermediate Relay with socket

is_customized: Yes

Voltage: 12V

Protect Feature: Sealed

Usage: General Purpose

Voltage: DC12V/DC24V/AC110V/AC220V

Pin: 8Pin